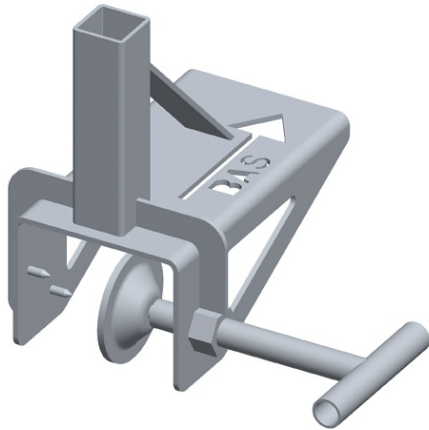


Technical sheet

Ref. 030131

Support on rafter for square post 30x30 ref. 020137-020139



The gutter anchorage is designed to take peripheral protection (railing or scaffolding) or to secure rooftop access with an PPE

FEATURES

Quick assembly/disassembly
Flexible and ergonomic

SPECIFICATIONS

Lenght (mm)	250
Width (mm)	300
Height (mm)	250
Weight (kg)	3,126

Technical description

rafter tightening system

Actions : To work safely

Trades : Slate / Framework / Tile